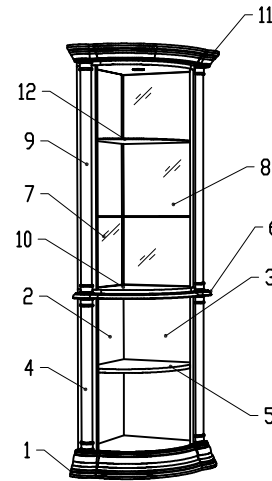
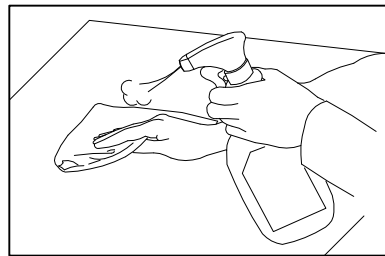
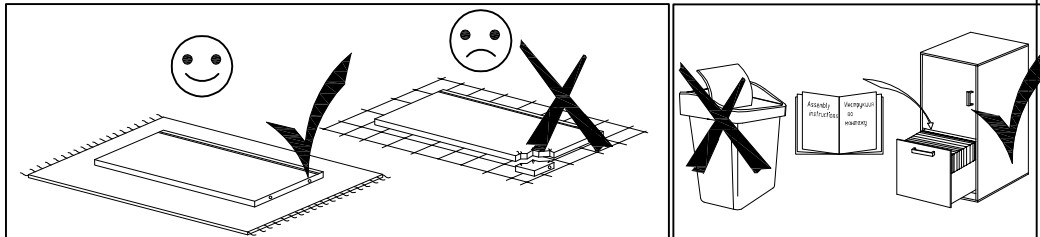
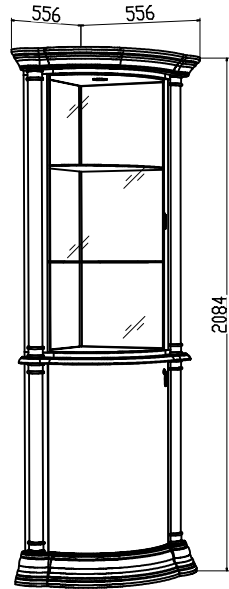
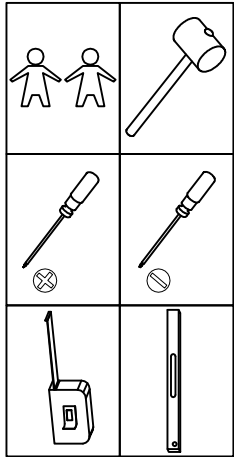
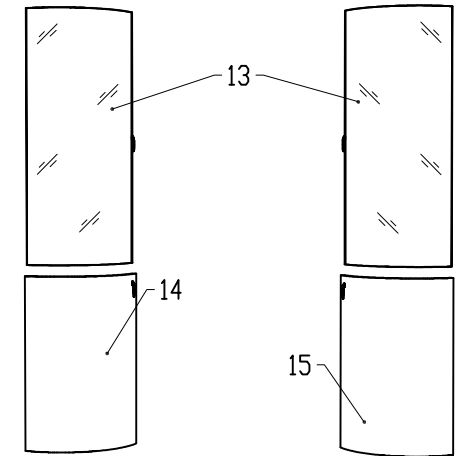


# "ROZA" Art. 37.105.01, 37.106.01



37.105.01

37.106.01

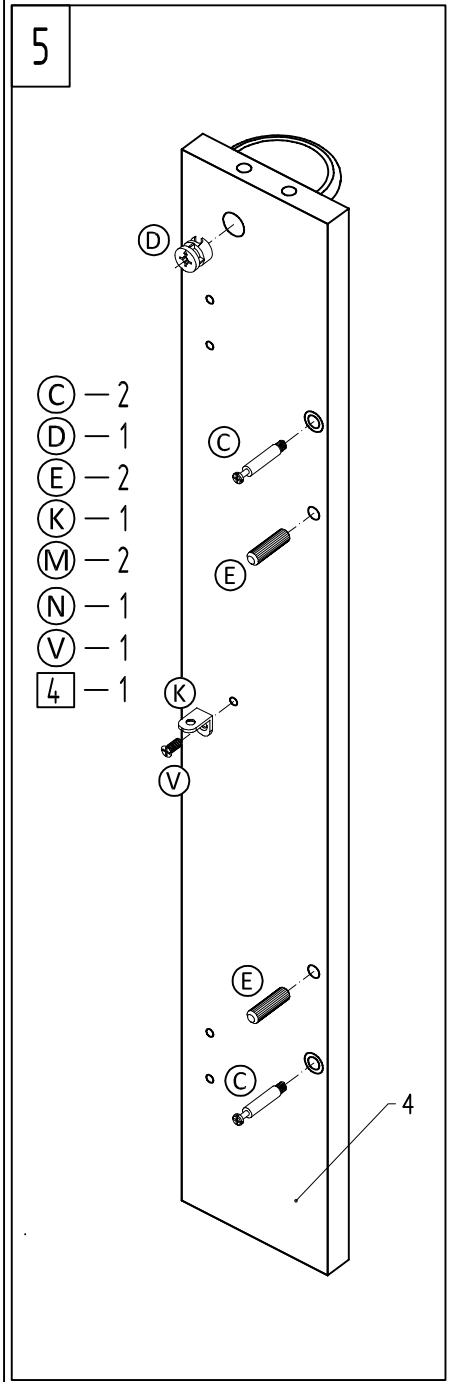
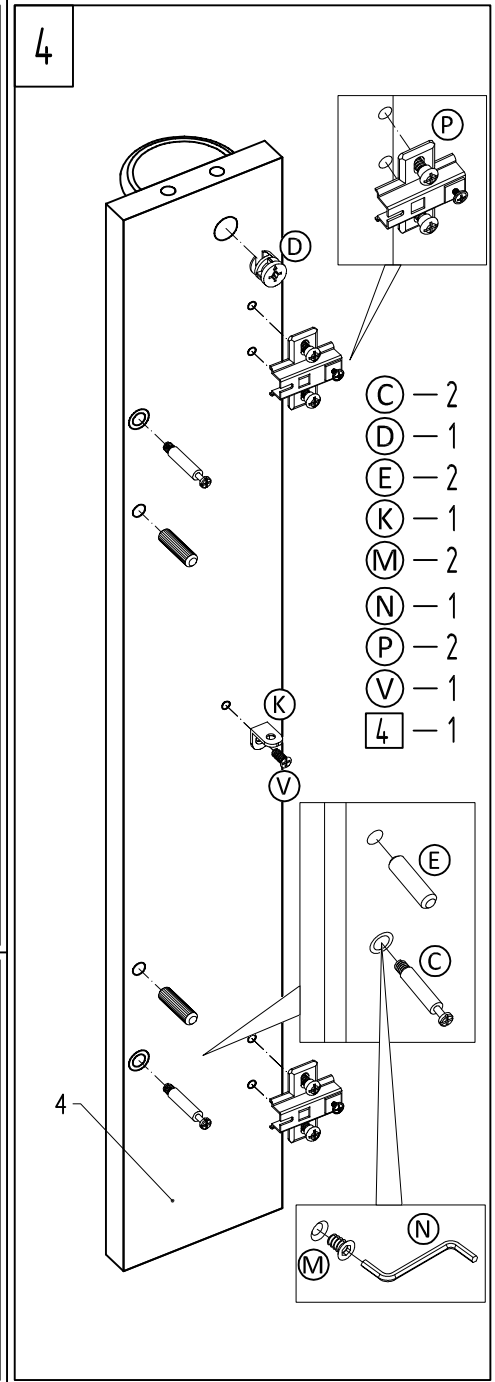
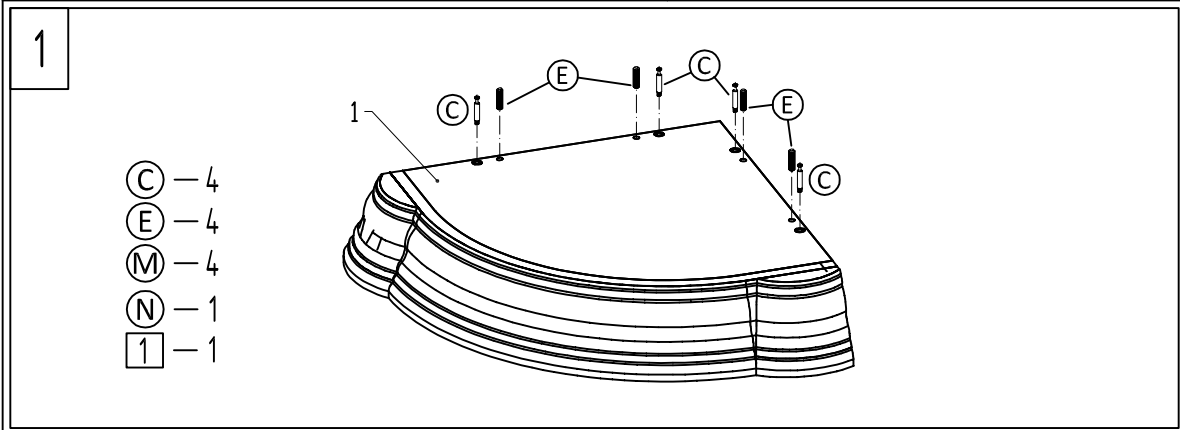
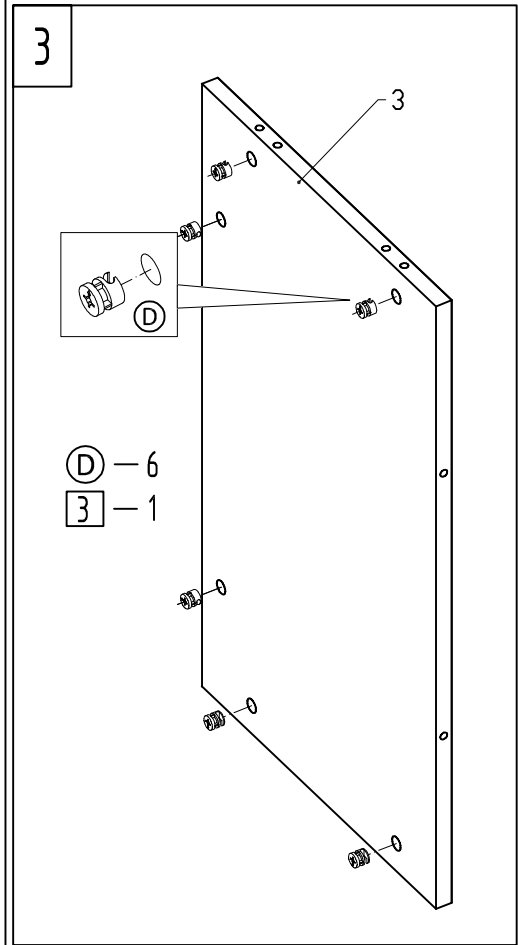
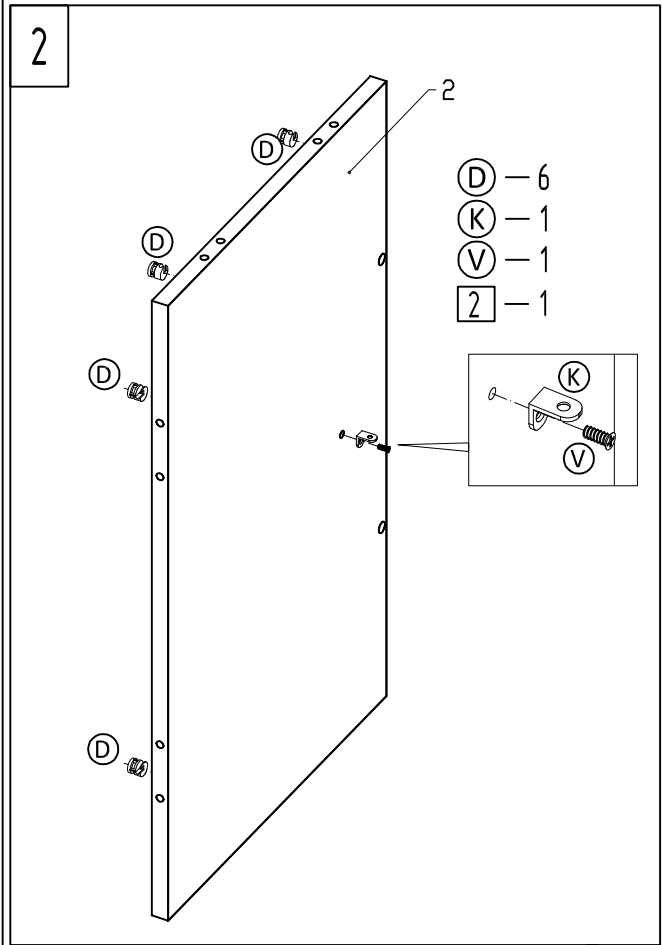


B	x4	C	x32	D	x32	E	x26	F	x2		
G	x2	H	x2	I	x1	J	x1	K	x3	L	x4
M	x32	N	x1	O	x1	P	x2	Q	x2	R	x5
S	x1	T	x1	U	x2	V	x6	W	x6	X	x1
Y	x1	Z	x1	A1	x2	B1	x2	C1	x6	D1	x3
E1	x12	F1	x2								

Packaging number	Contains	L*W*H	Quantity
1	1	539*539*117	1
	11	556*556*124	1
2	4	734*104*53	2
	9	1105*104*53	2
	2	734*432*18	1
3	3	734*414*18	1
	7	1069*432*22	1
4	8	1069*414*22	1
	5	414*414*18	1
	6	451*451*18	1
	10	517*517*18	1
5	12	403*403*6	2
	14	728*490*18	1
6	(15)	728*490*18	1
6	13	1060*464*4	1

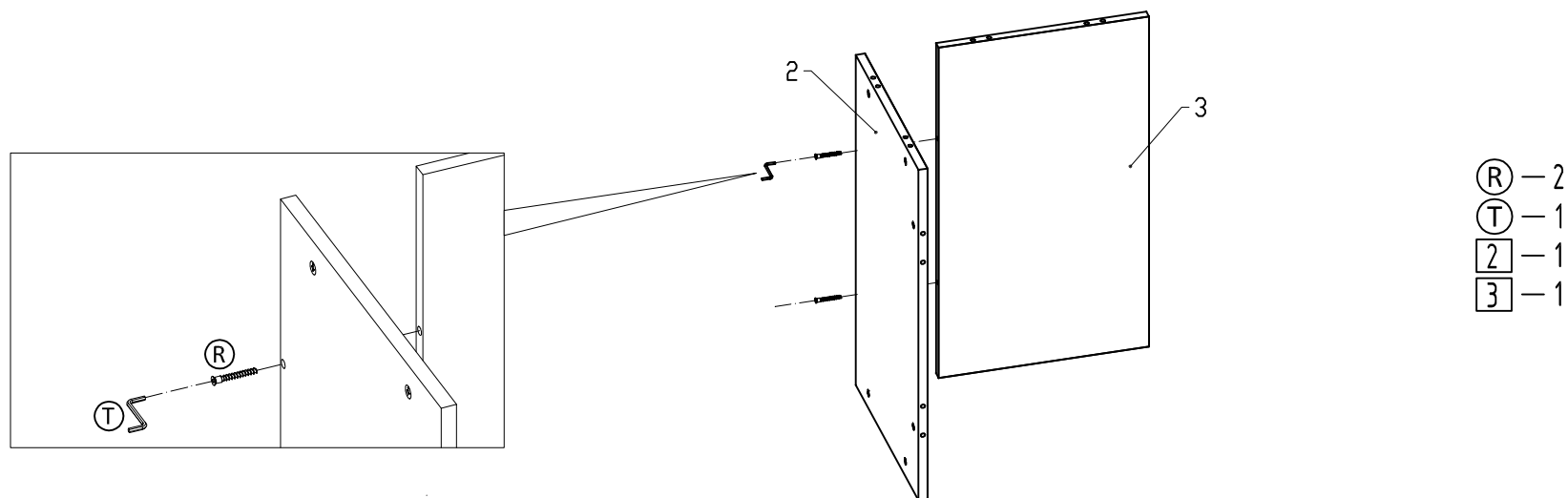


"ROZA" Art. 37.105.01, 37.106.01



"ROZA" Art. 37.105.01, 37.106.01

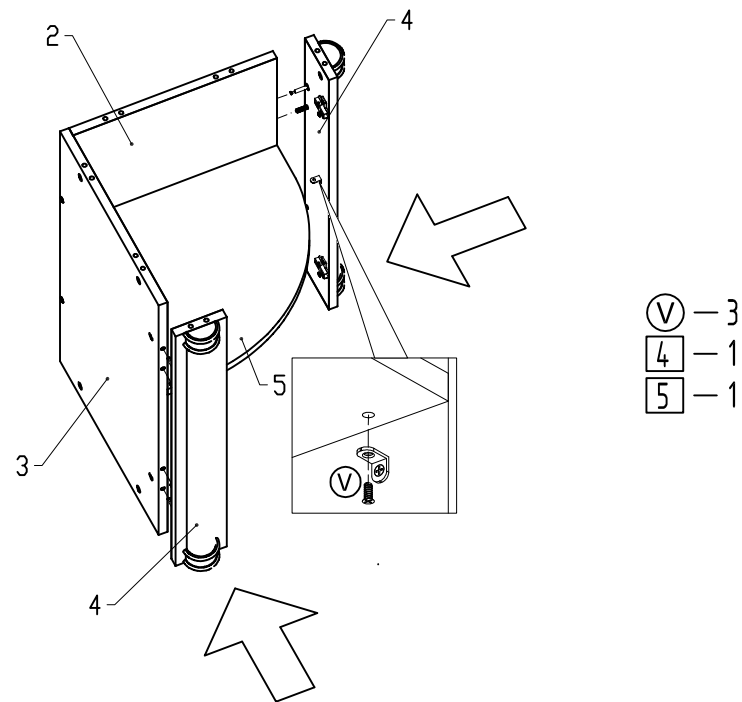
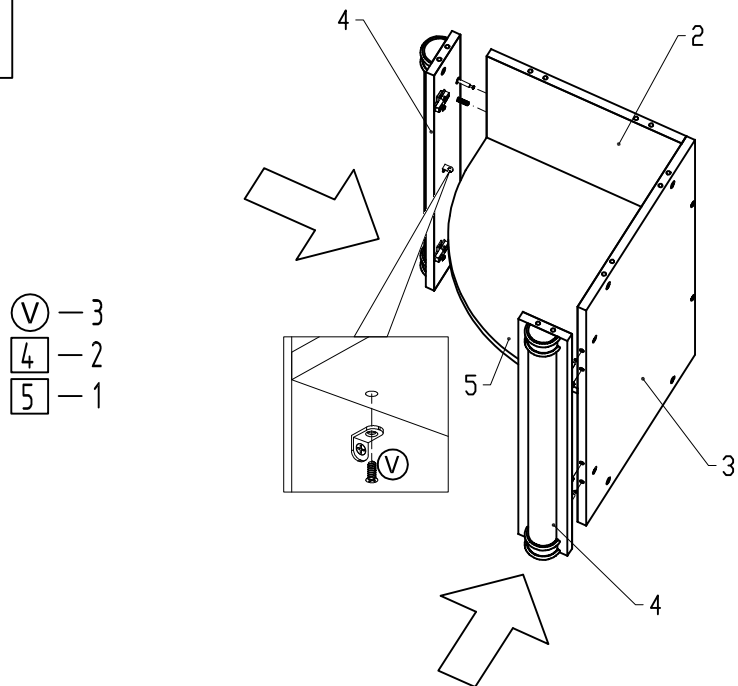
6

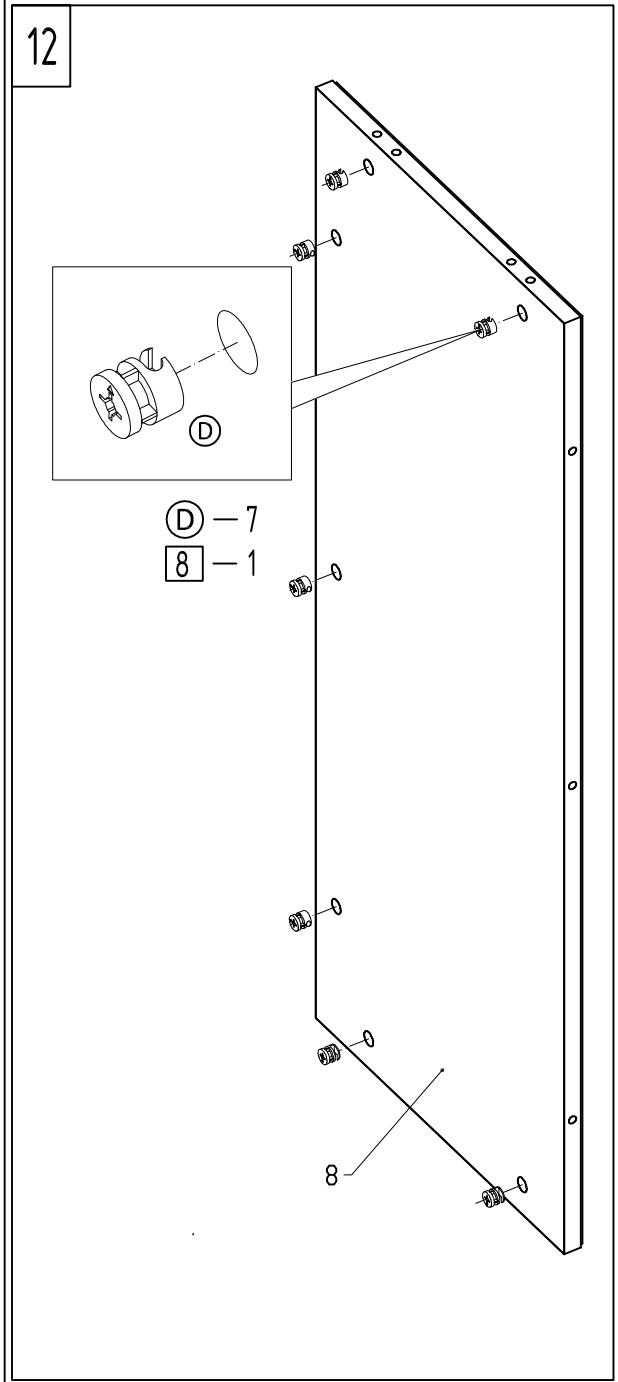
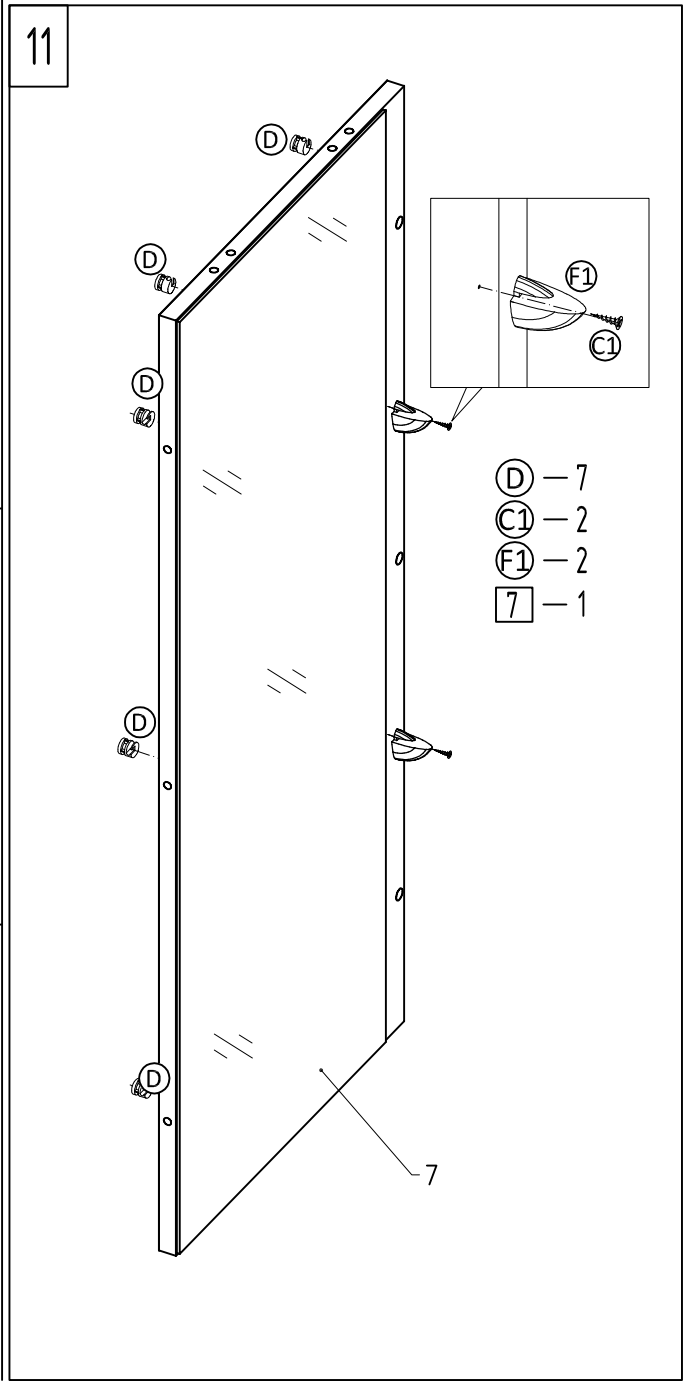
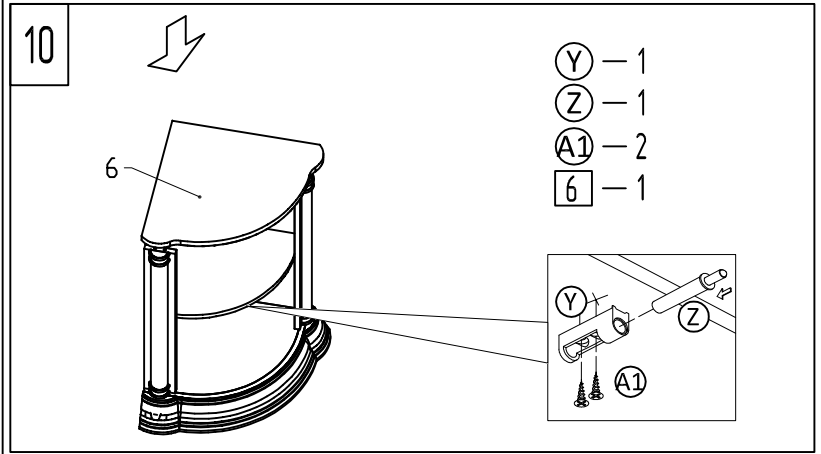
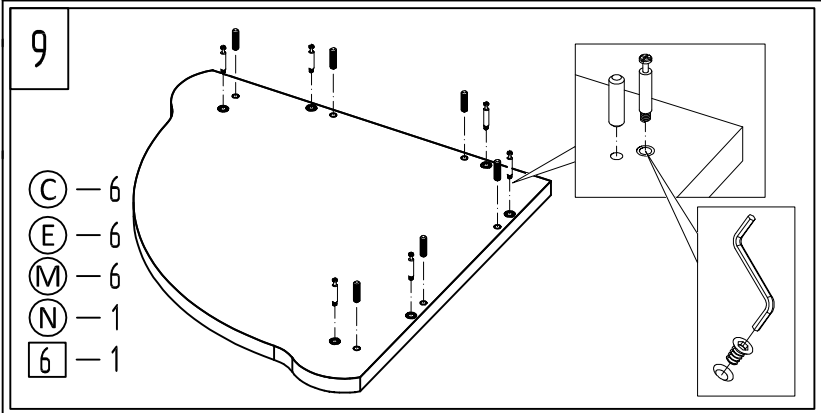
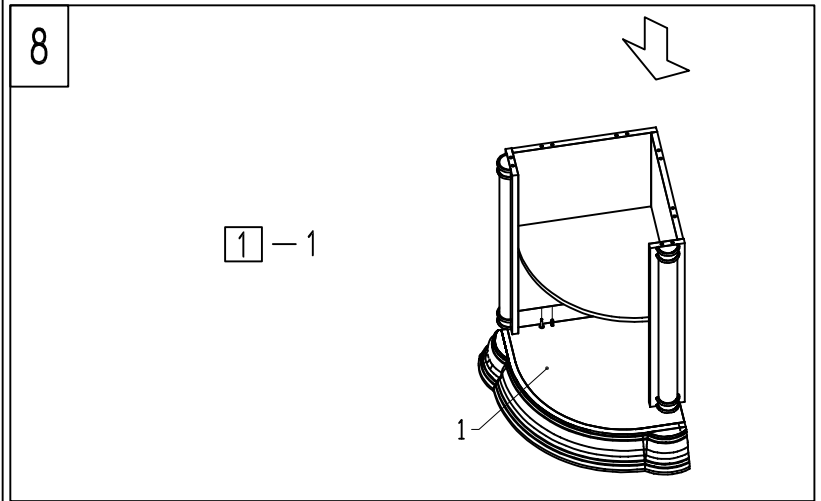


37.105.01

37.106.01

7



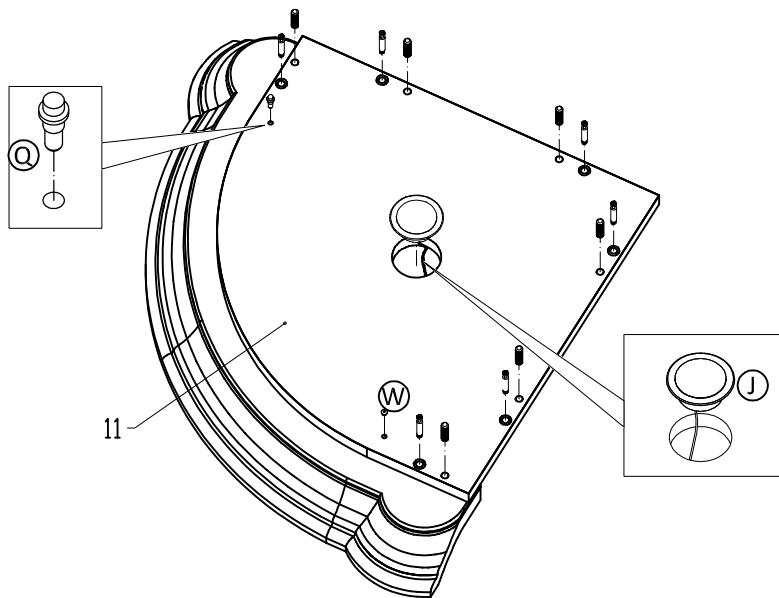


"ROZA" Art. 37.105.01, 37.106.01

37.105.01

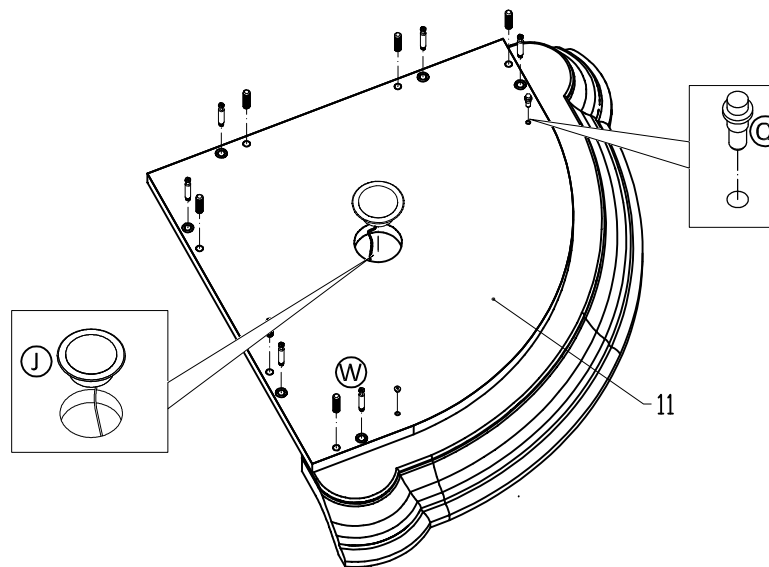
13

- C - 6
- E - 6
- M - 6
- J - 1
- N - 1
- Q - 1
- W - 1
- 11 - 1



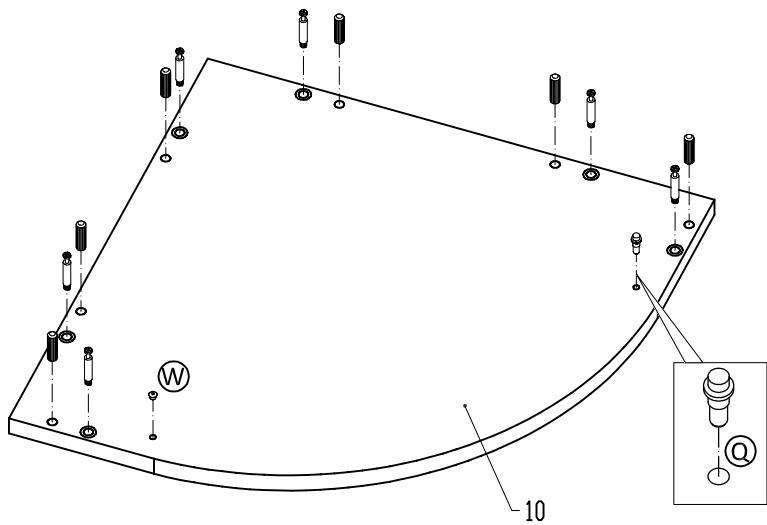
37.106.01

- C - 6
- E - 6
- M - 6
- J - 1
- N - 1
- Q - 1
- W - 1
- 11 - 1

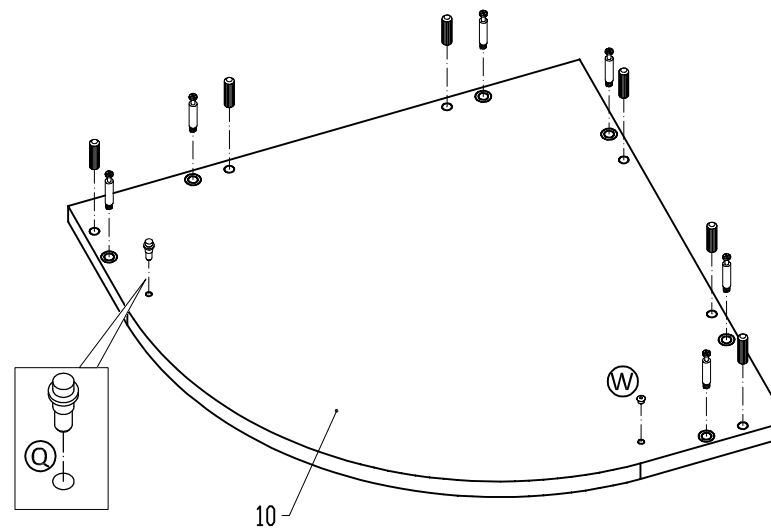


14

- C - 6
- E - 6
- M - 6
- N - 1
- Q - 1
- W - 1
- 10 - 1



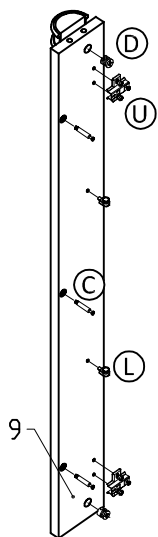
- C - 6
- E - 6
- M - 6
- N - 1
- Q - 1
- W - 1
- 10 - 1



"ROZA" Art. 37.105.01, 37.106.01

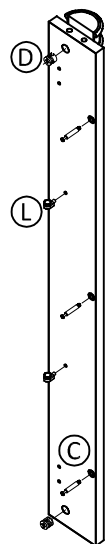
15

- Ⓒ — 3
- Ⓓ — 2
- Ⓕ — 2
- Ⓜ — 3
- Ⓝ — 1
- Ⓤ — 2
- 9 — 1

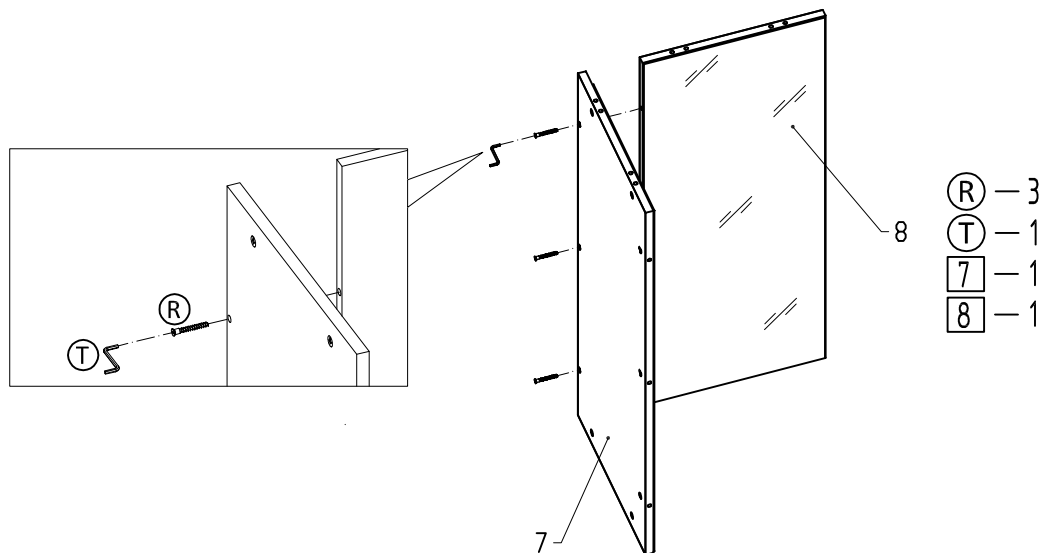


16

- Ⓒ — 3
- Ⓓ — 2
- Ⓕ — 2
- Ⓜ — 3
- Ⓝ — 1
- 9 — 1



17



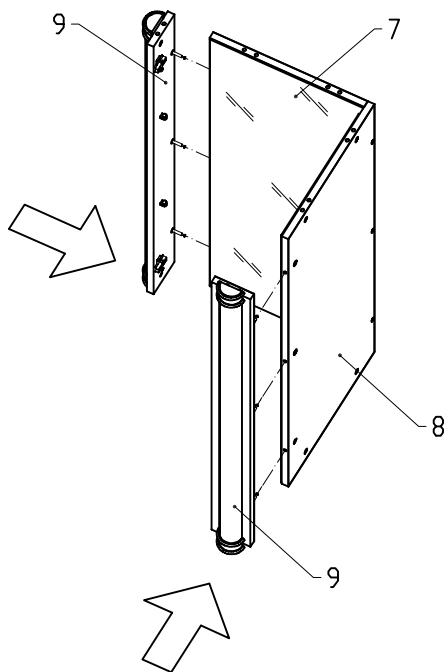
- Ⓡ — 3
- Ⓣ — 1
- 7 — 1
- 8 — 1

37.105.01

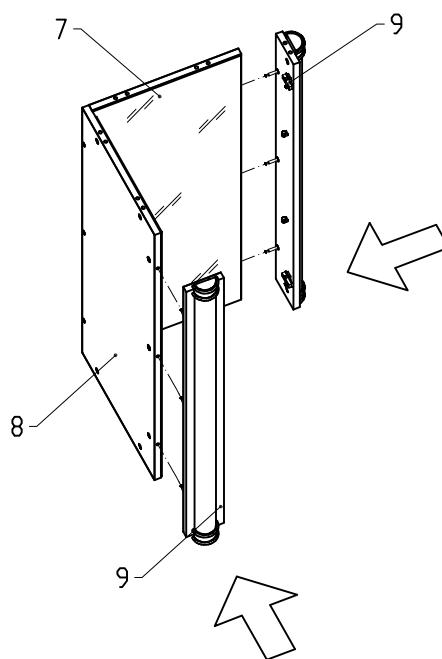
37.106.01

18

- 7 — 1
- 8 — 1
- 9 — 2



- 7 — 1
- 8 — 1
- 9 — 2

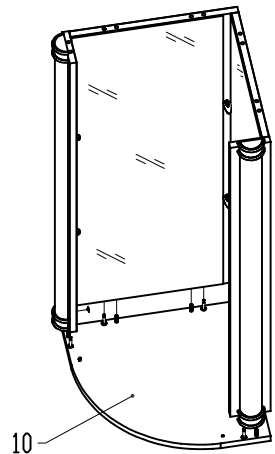


"ROZA" Art. 37.105.01, 37.106.01

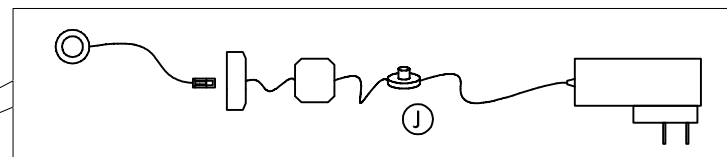
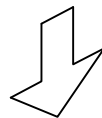
19



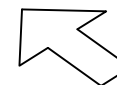
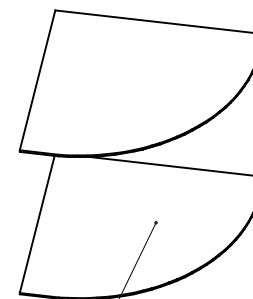
10 - 1



21



12 - 2

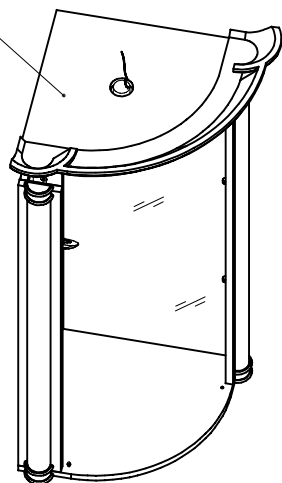


12

20

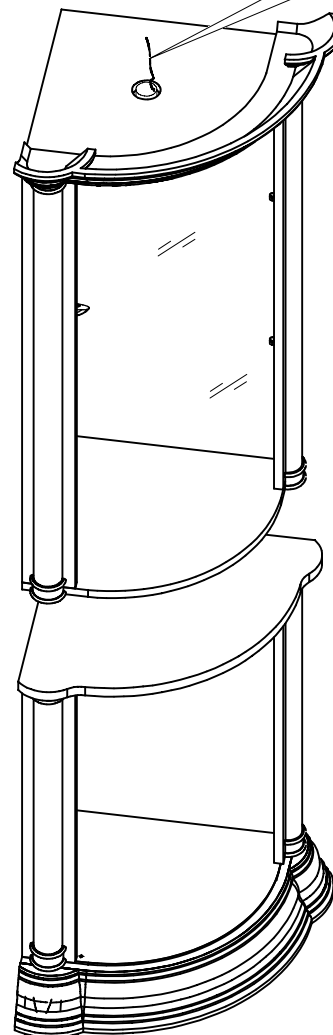


11



(B) - 4

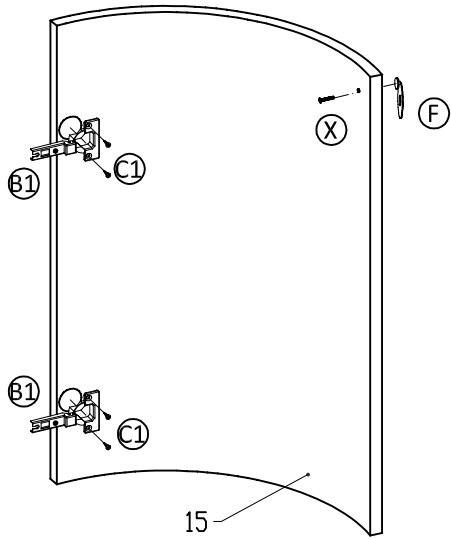
11 - 1



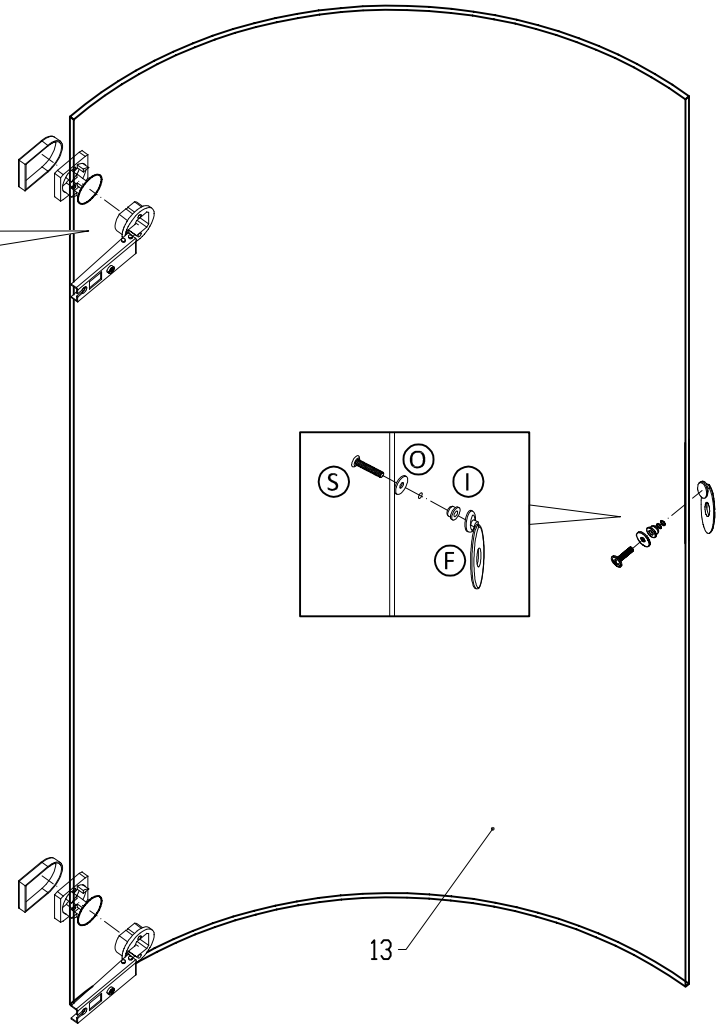
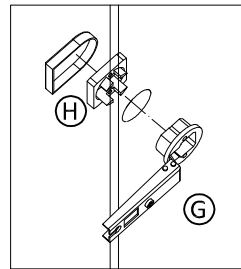
"ROZA" Art. 37.105.01, 37.106.01

22 37.106.01

- ⓕ — 1
- Ⓧ — 1
- Ⓑ1 — 2
- Ⓒ1 — 4
- 15 — 1



24



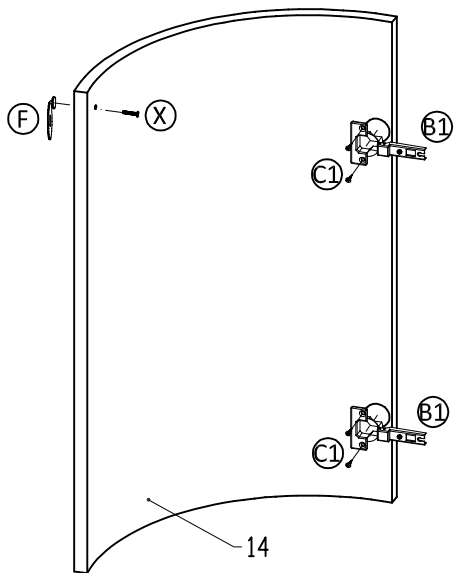
- ⓕ — 1
- Ⓒ1 — 2
- Ⓧ — 2
- Ⓛ — 1
- Ⓞ — 1
- Ⓢ — 1
- 13 — 1

23 37.105.01

- ⓕ
- Ⓧ

- Ⓑ1
- Ⓒ1

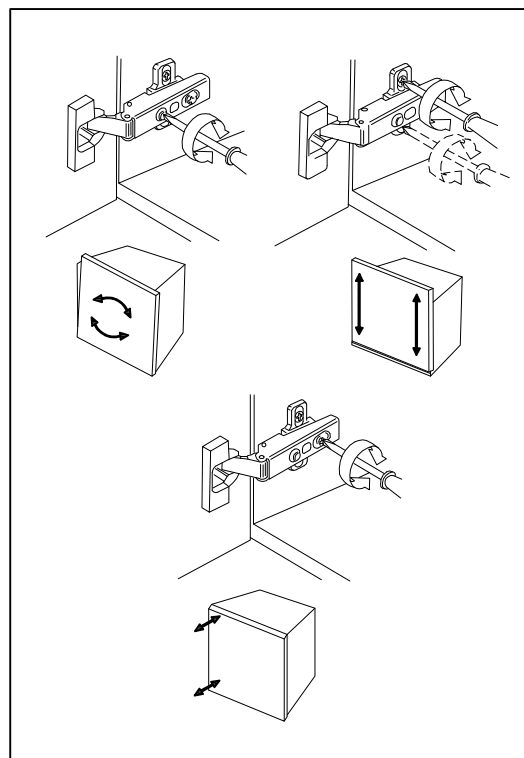
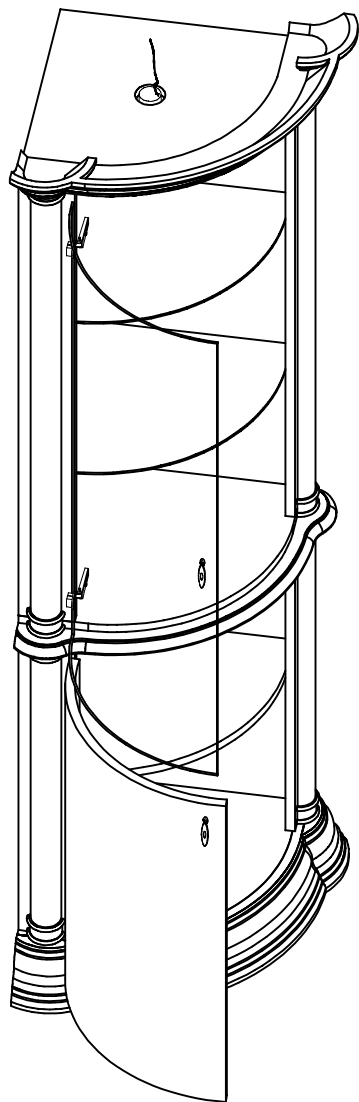
- ⓕ — 1
- Ⓧ — 1
- Ⓑ1 — 2
- Ⓒ1 — 4
- 14 — 1





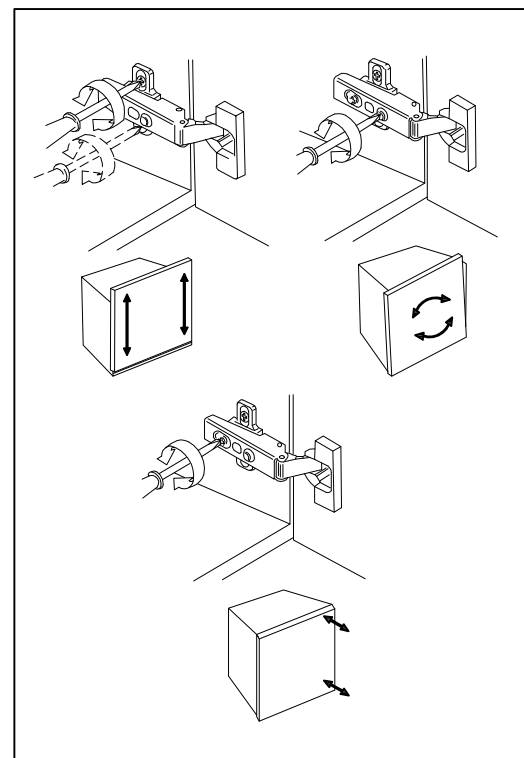
37.105.01

25

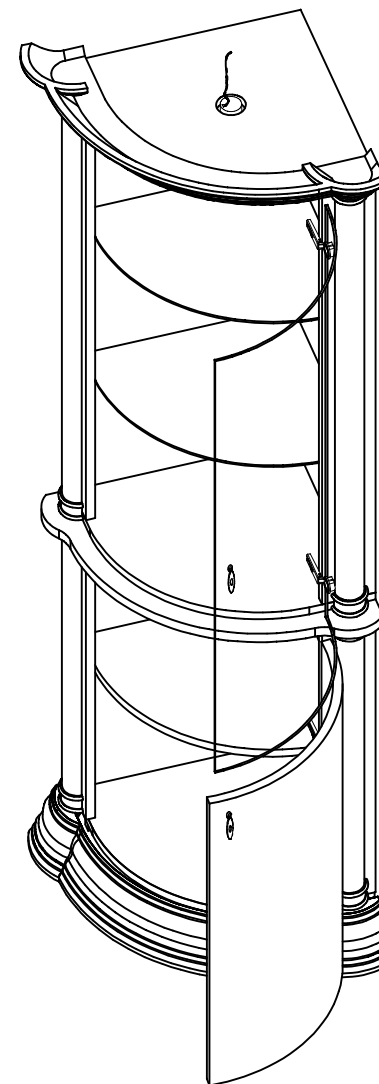


13 - 1  
14 - 1

37.106.01

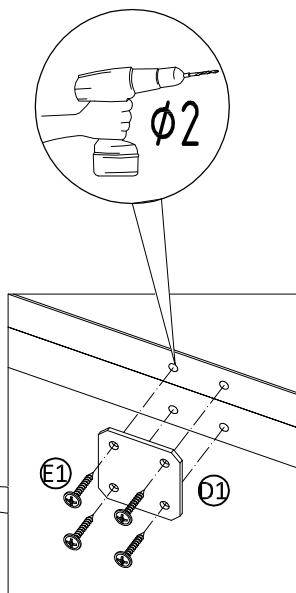
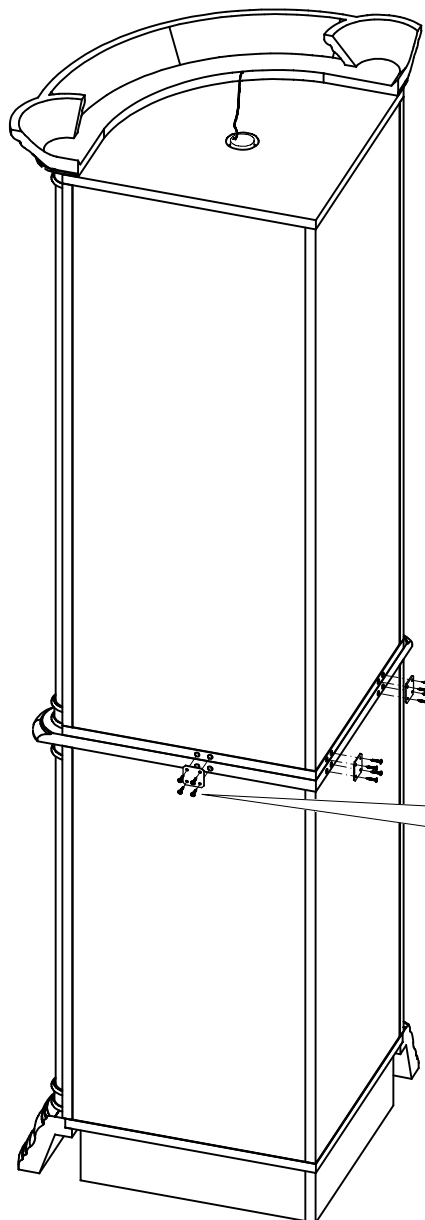


13 - 1  
15 - 1



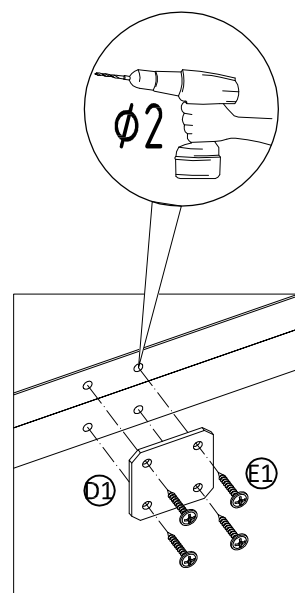
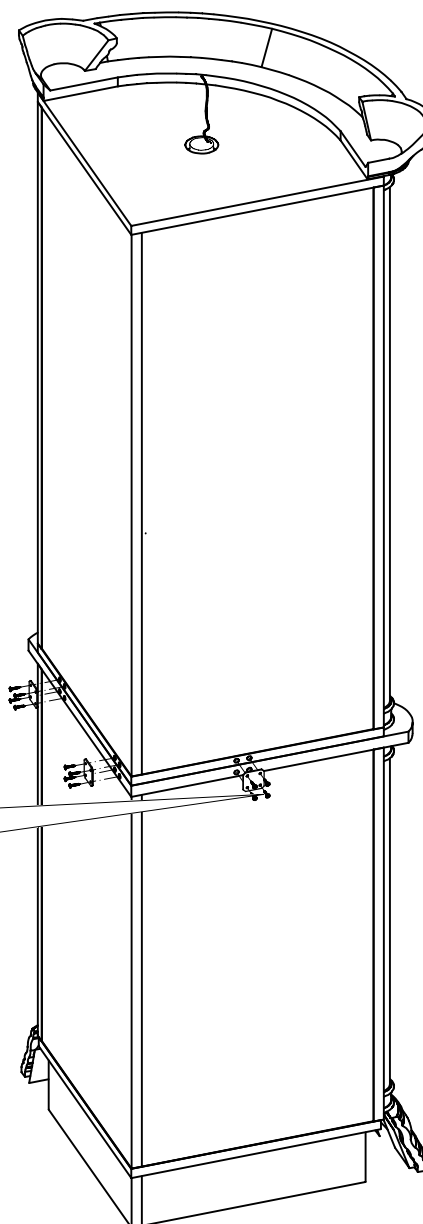
37.105.01

26



D1 — 3  
E1 — 12

37.106.01



D1 — 3  
E1 — 12